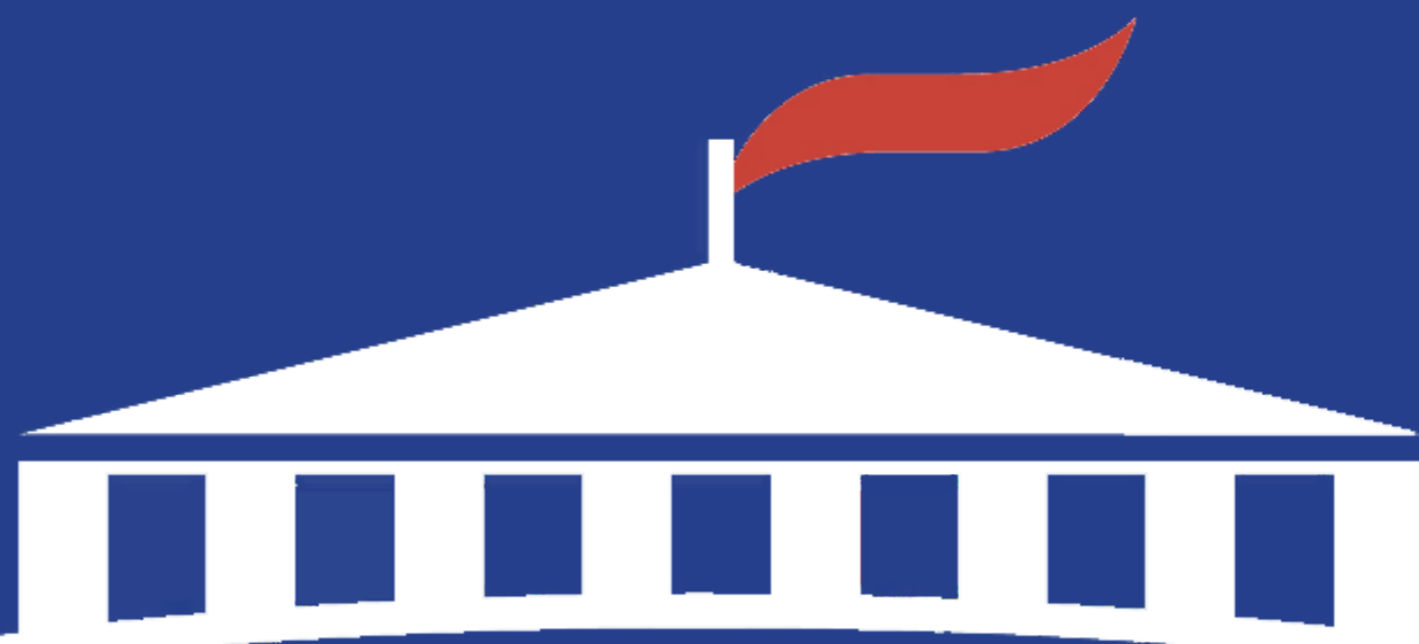


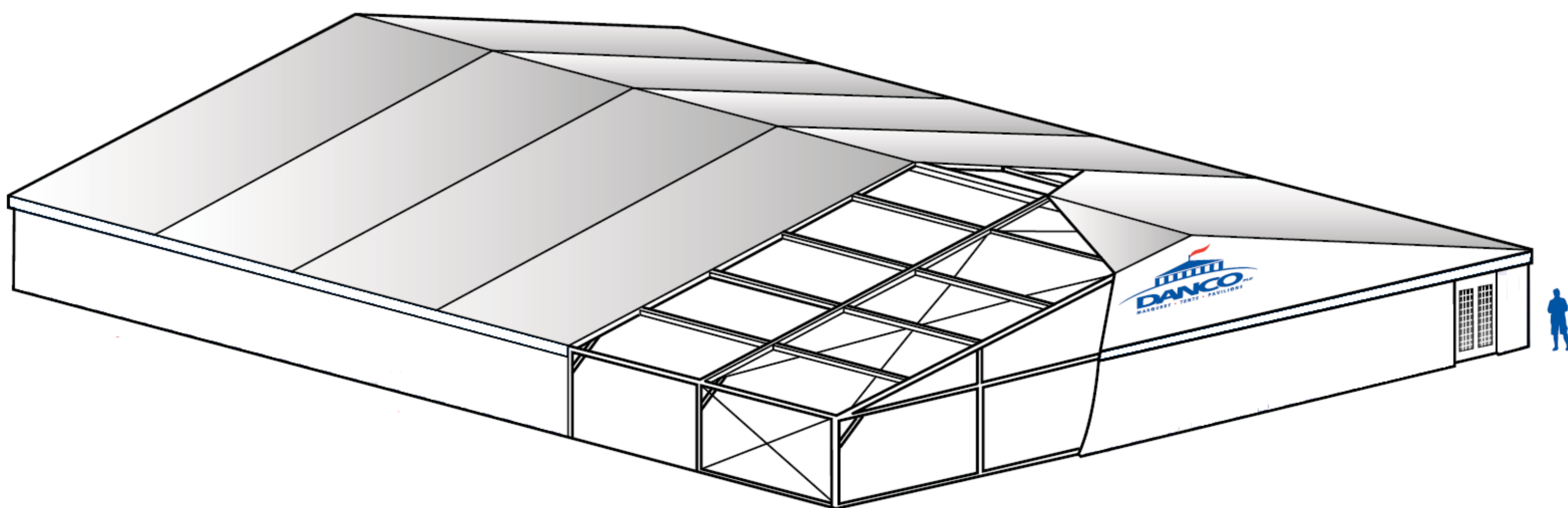
**30M**



**DANCO** PLC  
MARQUEES • TENTS • PAVILIONS

# TECHNICAL SPECIFICATIONS

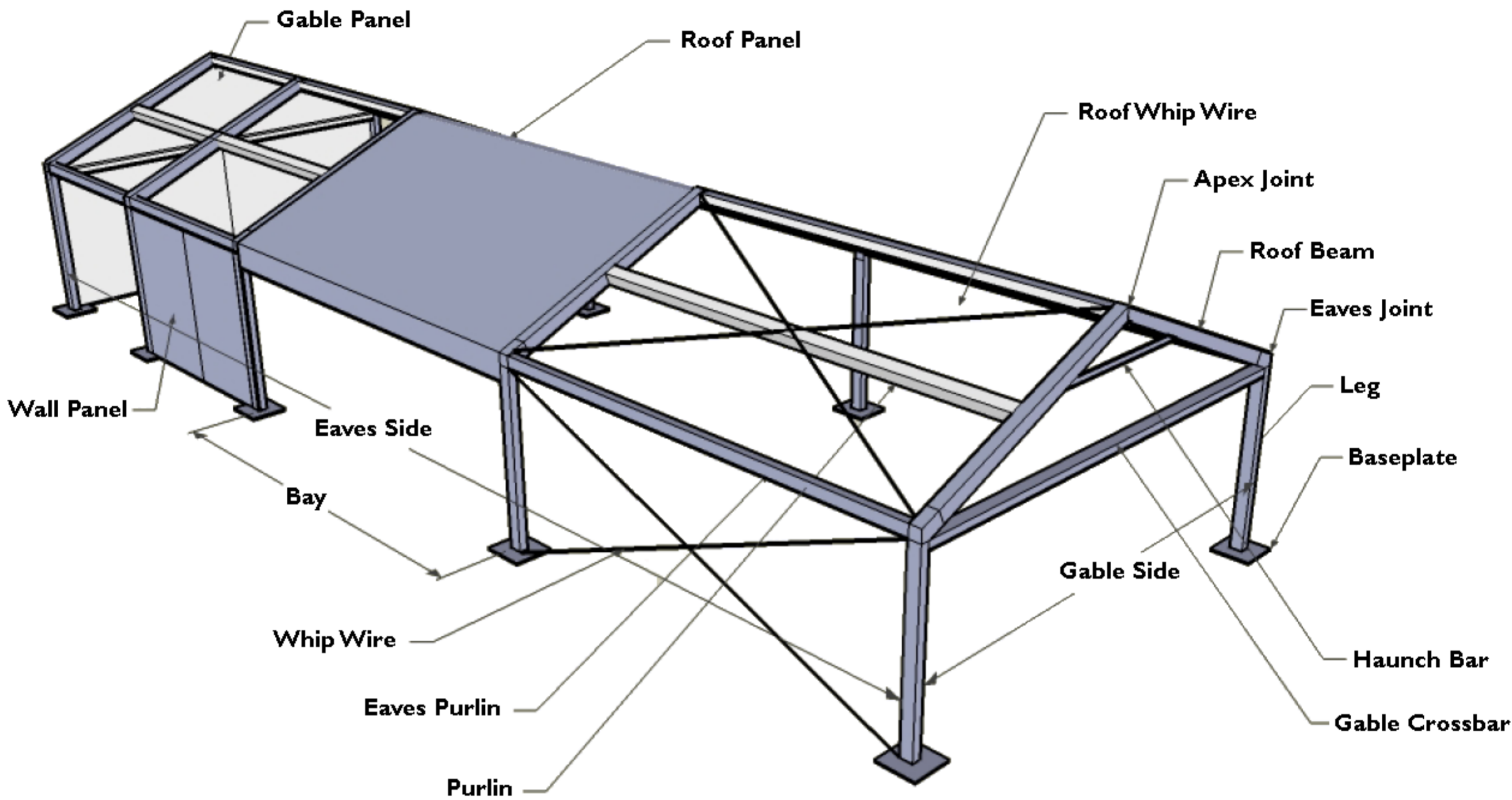
## 30 METRE PAVILION



### CONTENTS

GLOSSARY ■ TECHNICAL SPECIFICATIONS ■ WEIGHT LOADING

# GLOSSARY OF TERMS



**GENERIC PICTURE OF A FRAMED STRUCTURE**

## OPTIONAL ANCILLARY EQUIPMENT

Flooring

Matting

Fire Doors

Fans

Carpet

Banner Rail

Door Canopies

Furniture

Linings

Flag Poles

Window Panels

Staging

Lighting

Entrance Doors

Picket Fencing

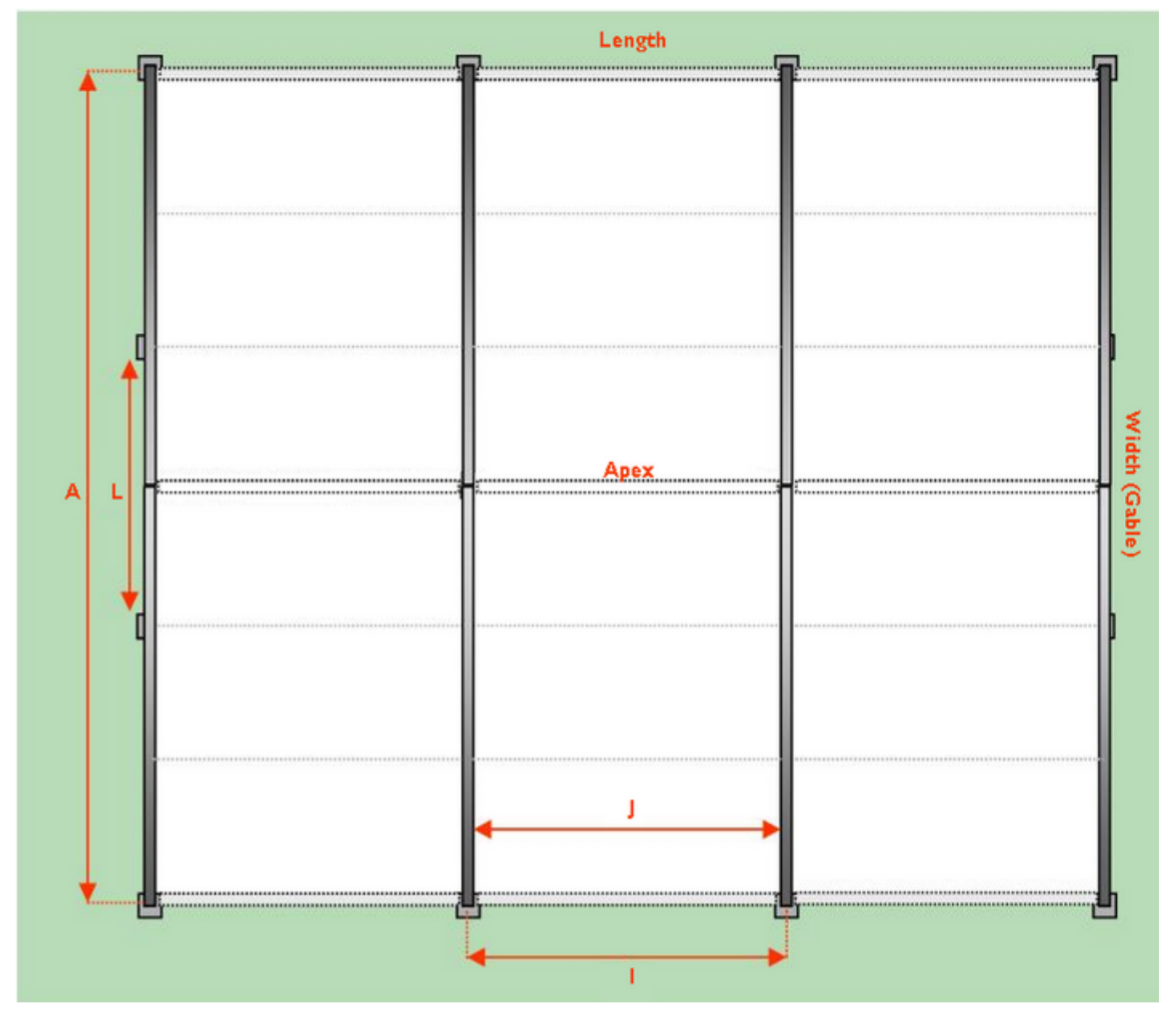
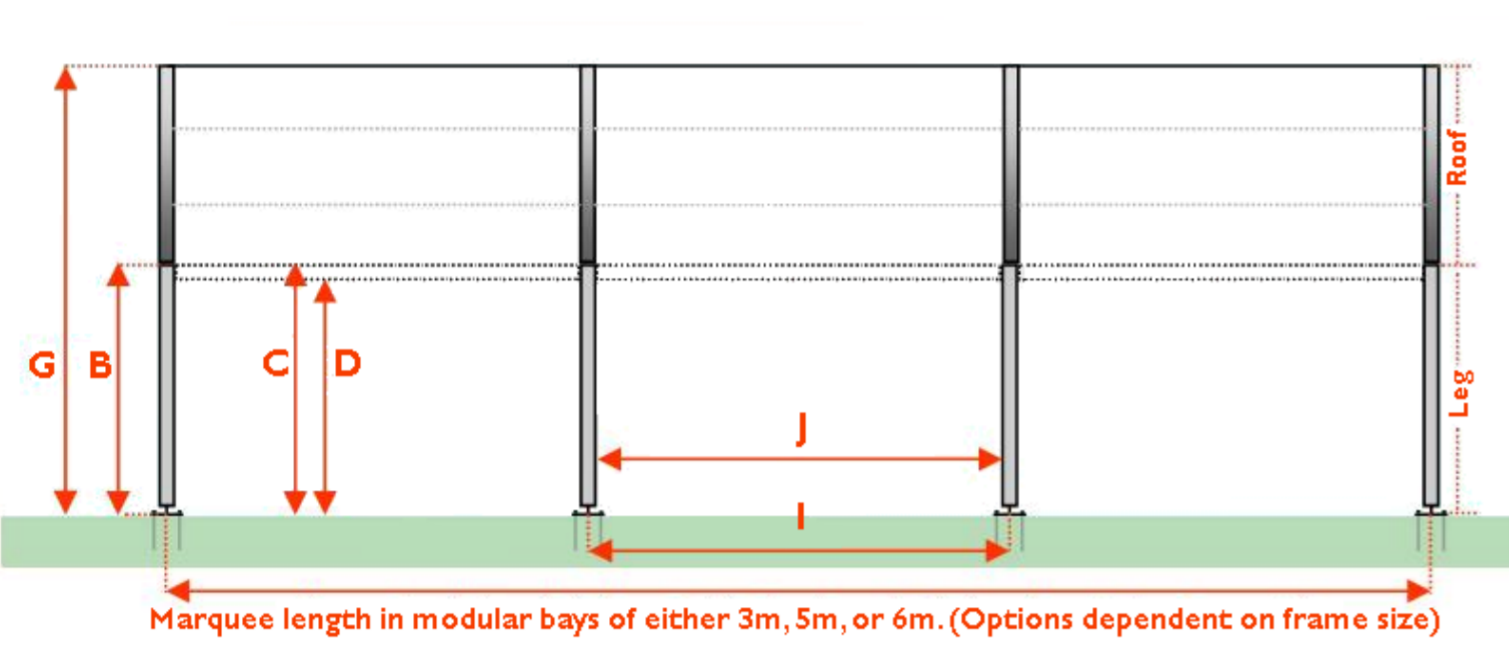
Heating

This is a selection of the ancillary equipment available. Please contact us for any specific requirements.

# TECHNICAL SPECIFICATIONS

## SIDE ELEVATION / EAVES VIEW

## OVERHEAD / PLAN VIEW



## FRONT ELEVATION / GABLE VIEW

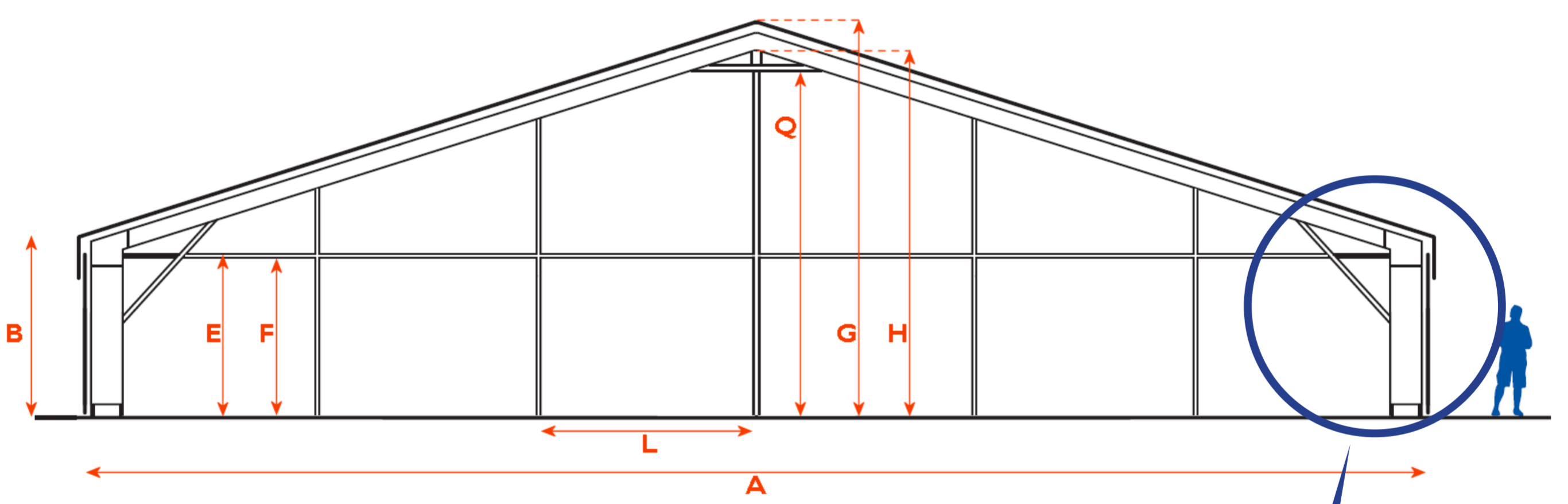
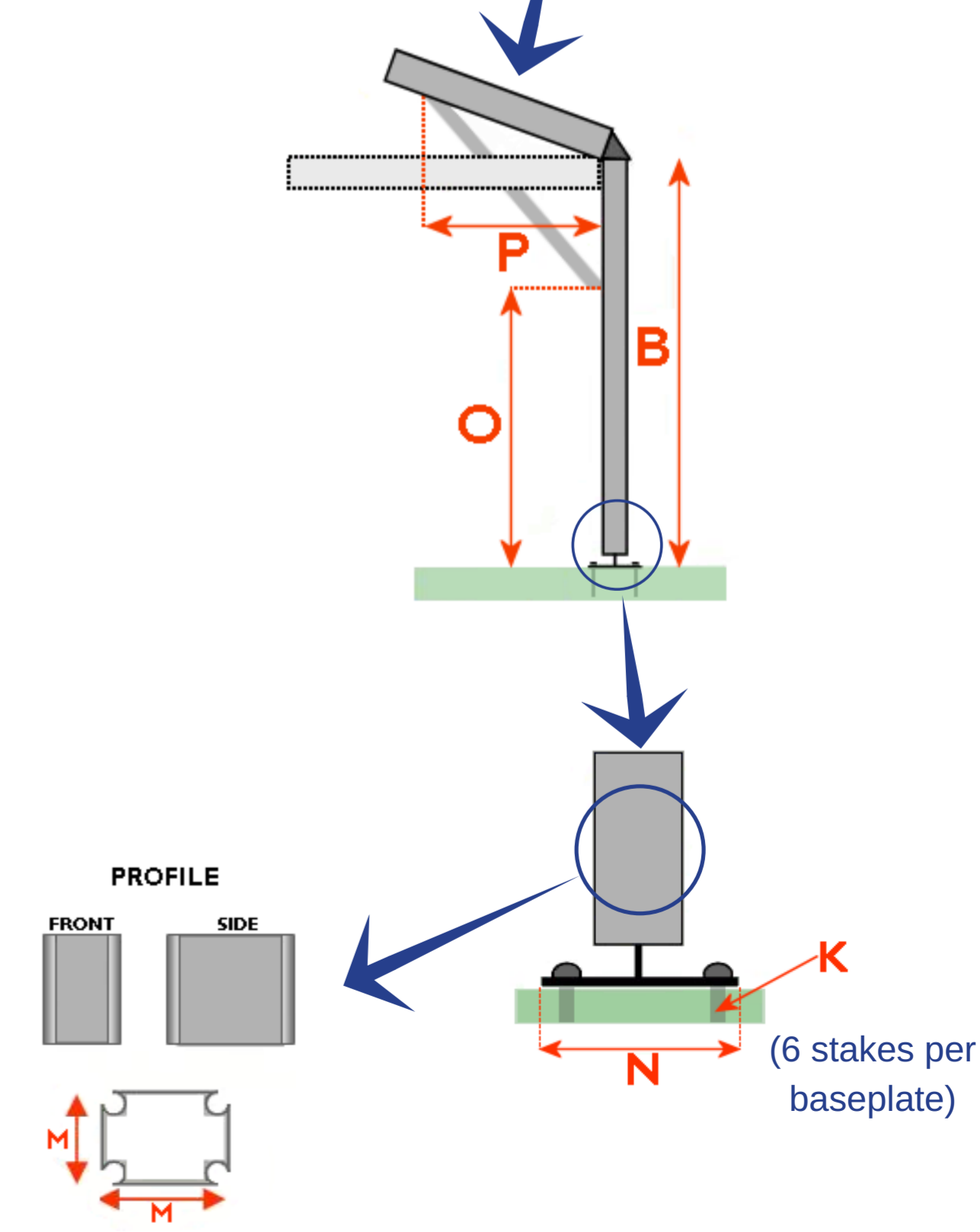
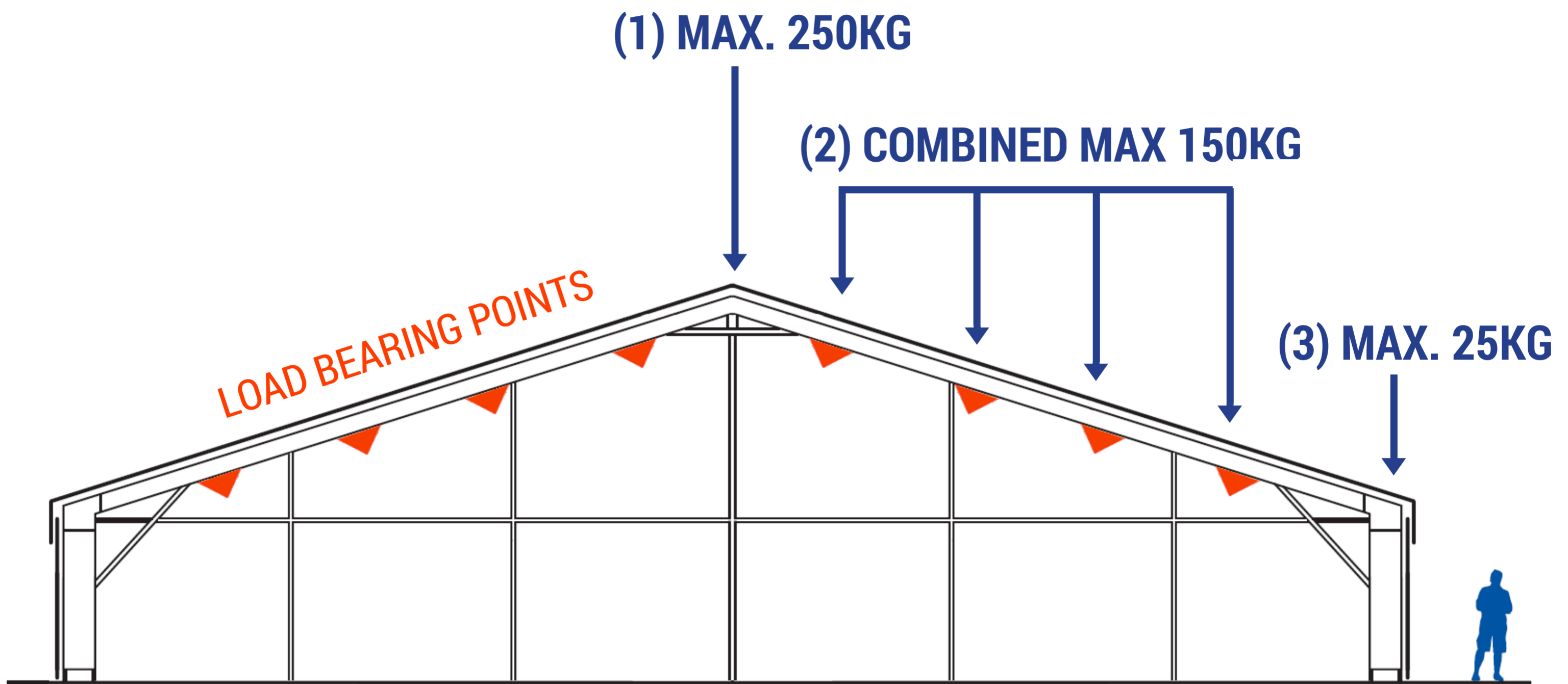


	DIAGRAM REF	
Gable width	A	30m
Leg height	B	3
Frame type	not shown	Danco
Top of eaves	C	3
Underside of eaves	D	2.87
Top of gable cross bar	E	3.05
Underside of gable cross bar	F	2.98
Top of apex	G	7.87
Underside of apex	H	7.62
Bay width (centre leg to centre leg)	I	5
Clear dist. between bay legs (eaves)	J	4.88
Stake length (mm)	K	1050
Clear distance between upright legs (gable)	L	4.83*
Leg profile (mm)	M	250x120
Eaves purlin profile (mm)	M	130x70
Base plate dimensions (mm)	N	500x500
Haunch bar leg height	O	2.06
Haunch bar lateral Ingress	P	2.49
Haunch bar apex height	Q	7.17



"Clear distance between upright legs (Gable)" is a minimum where an \* is shown. On these frames, the centre gable is wider.

# WEIGHT LOADING



A maximum of 450kg can be hung from each 'A' frame (outer structure shown above)

## THE LOAD CAN BE MADE UP AS FOLLOWS:

- A maximum of 250kg can be hung from the central 'A' frame point on the Apex (1).
- A combined maximum of 150kg can be hung from either side of the beam of the 'A' frame using the six load points shown in orange (2). These load points must be below the intermediate purlins and must be equally distributed on both sides. Only Keder clamps with an appropriate Safe Working Load should be used.
- A maximum of 25kg can be hung from the eaves purlins (3)
- Weights stated are maximums.