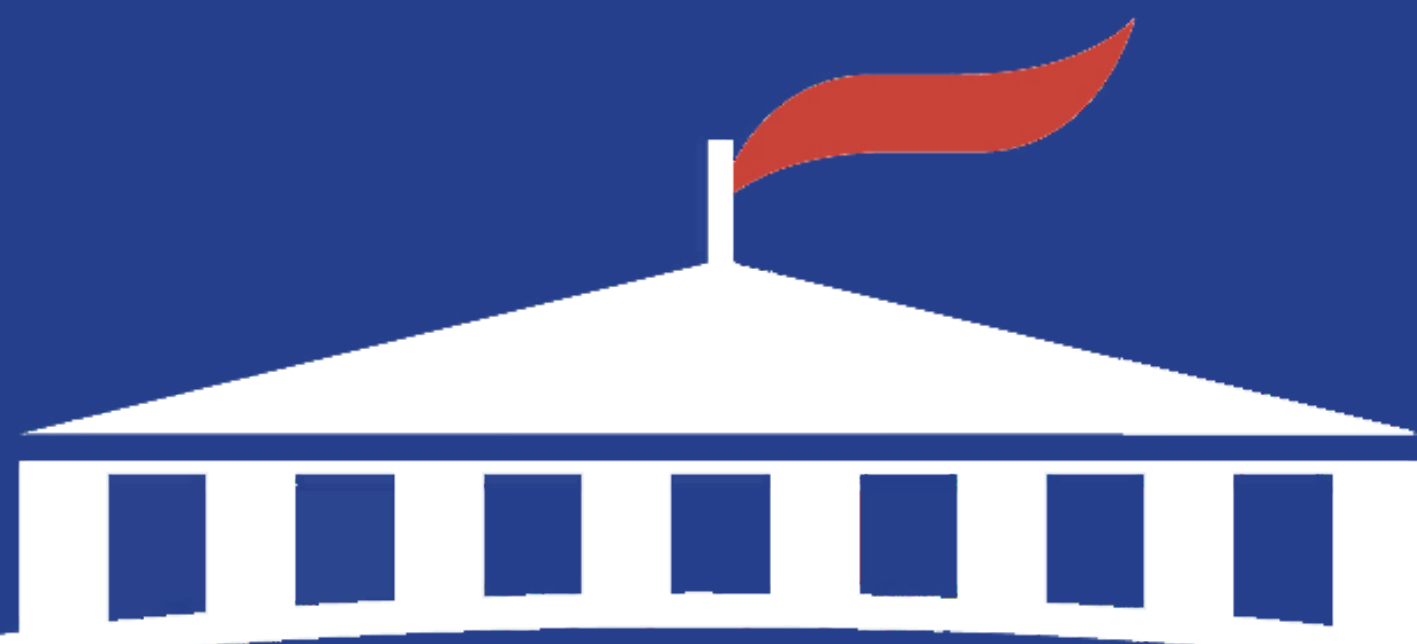


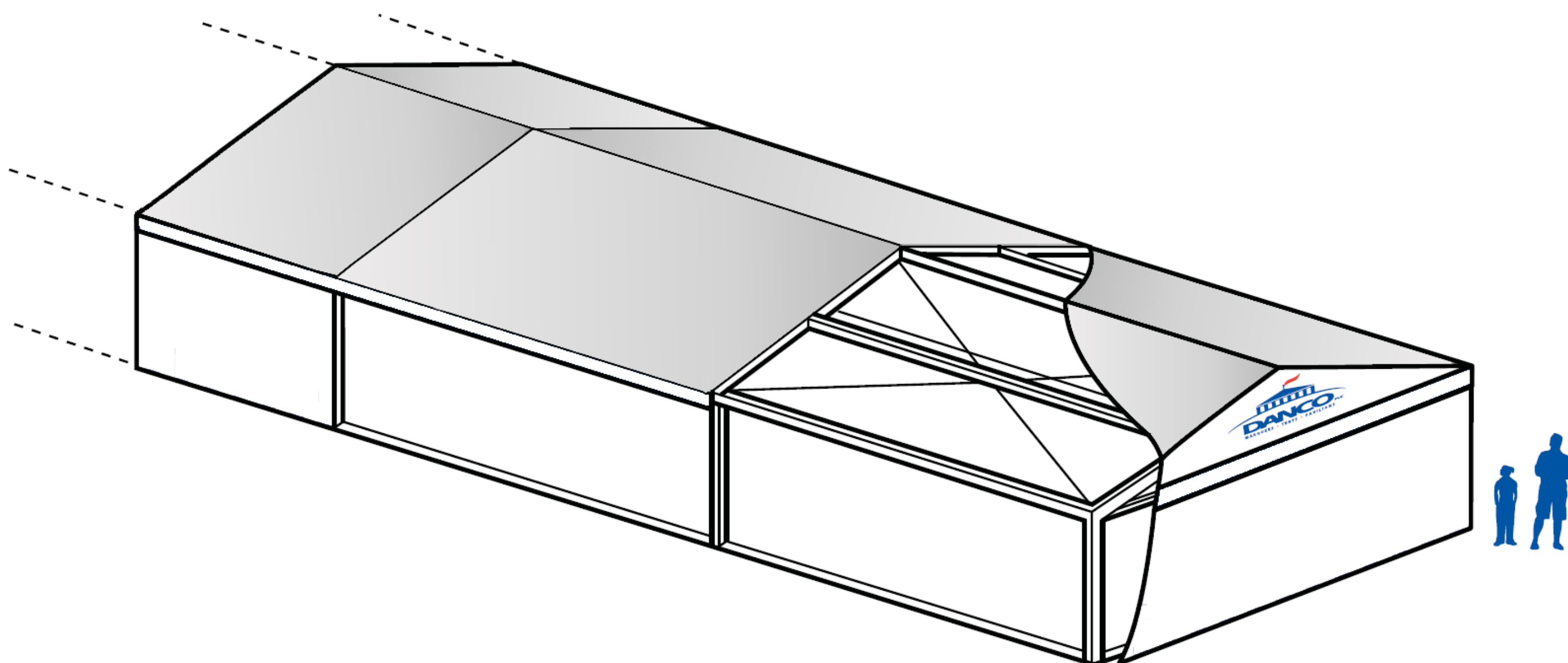
**6M**



**DANCO** PLC  
MARQUEES • TENTS • PAVILIONS

# TECHNICAL SPECIFICATIONS

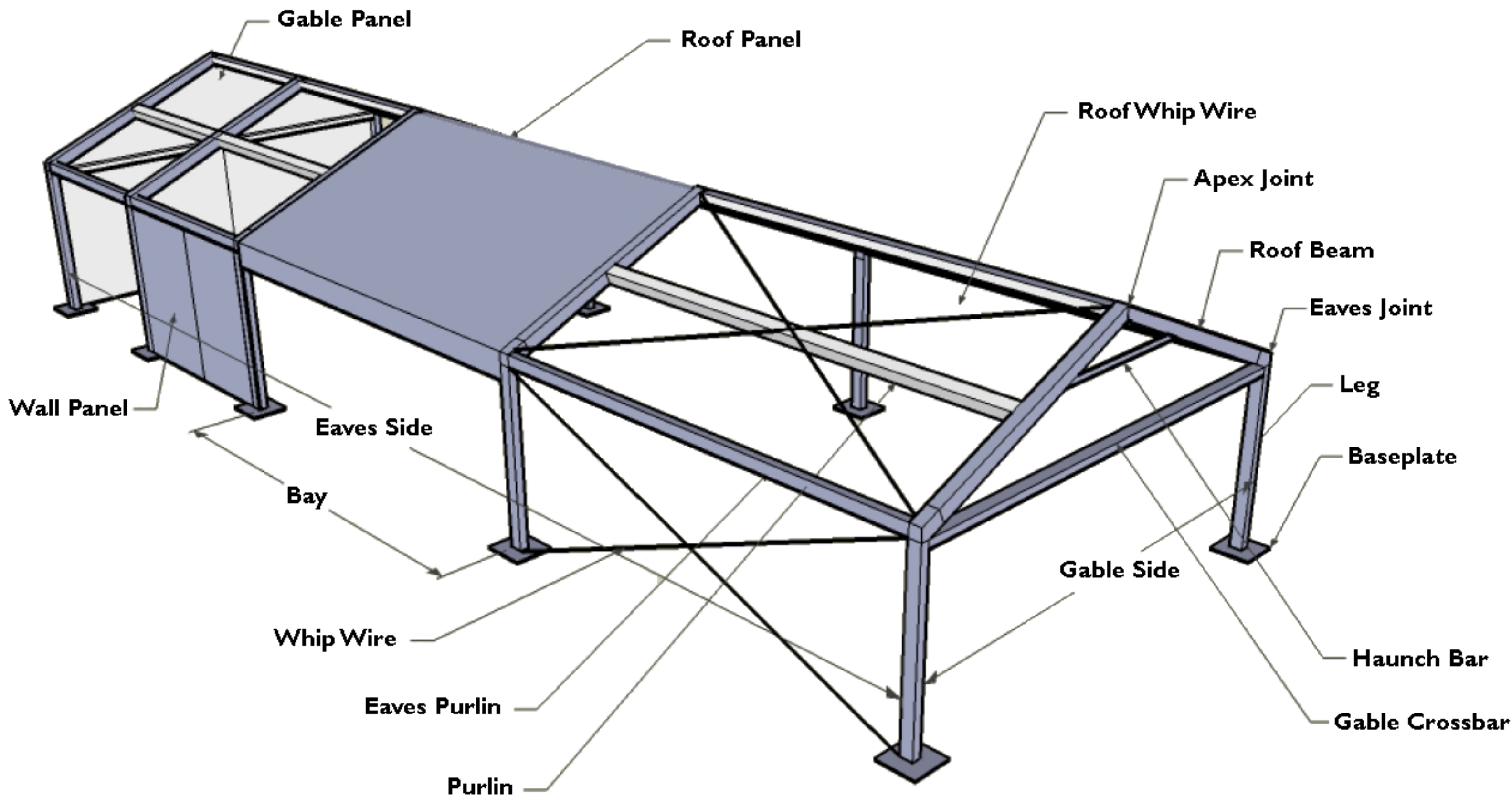
## 6 METRE PAVILION



### CONTENTS

GLOSSARY ■ TECHNICAL SPECIFICATIONS ■ WEIGHT LOADING

# GLOSSARY OF TERMS



**GENERIC PICTURE OF A FRAMED STRUCTURE**

## OPTIONAL ANCILLARY EQUIPMENT

Flooring

Carpet

Linings

Lighting

Matting

Banner Rail

Flag Poles

Entrance Doors

Fire Doors

Door Canopies

Window Panels

Picket Fencing

Fans

Furniture

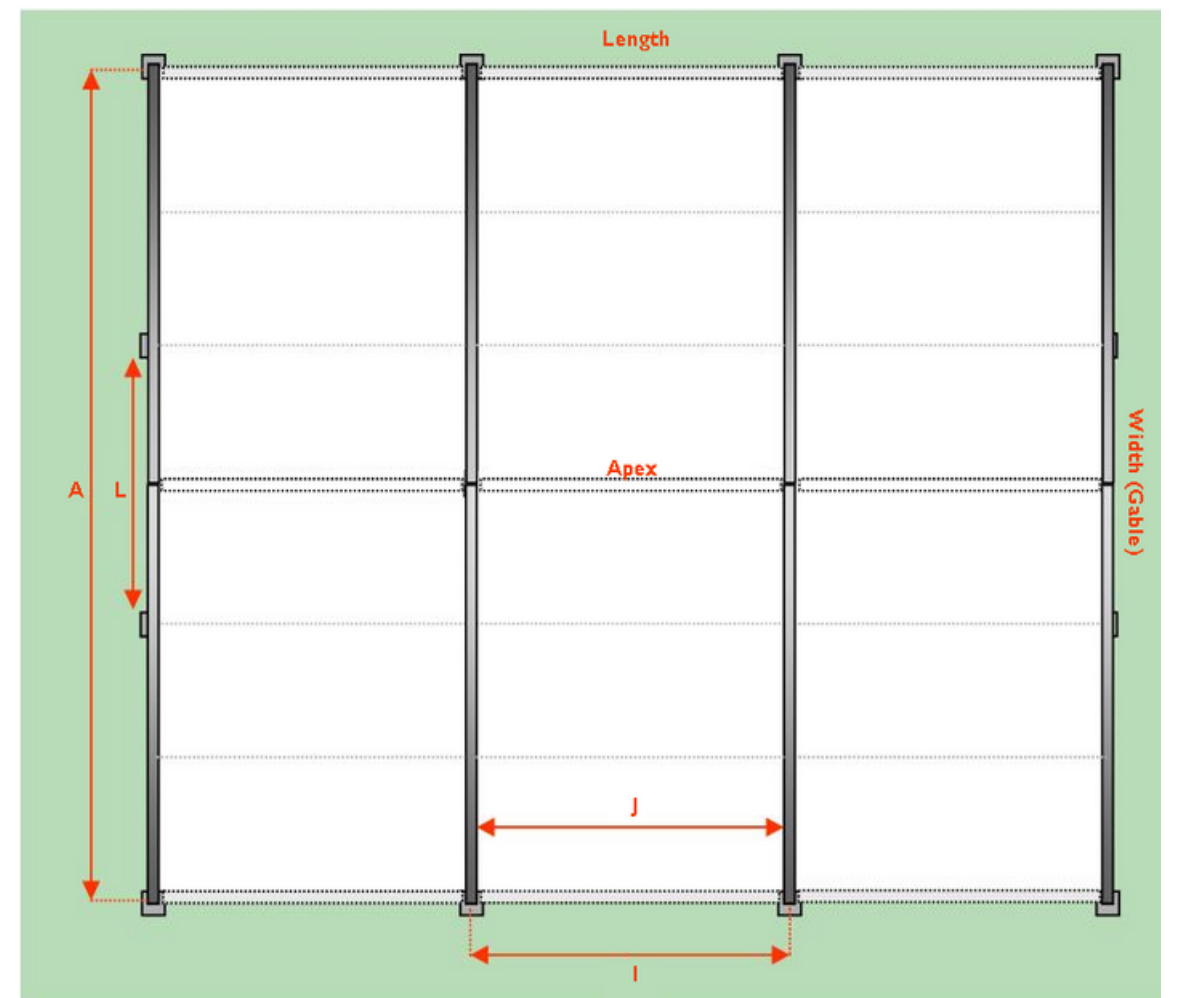
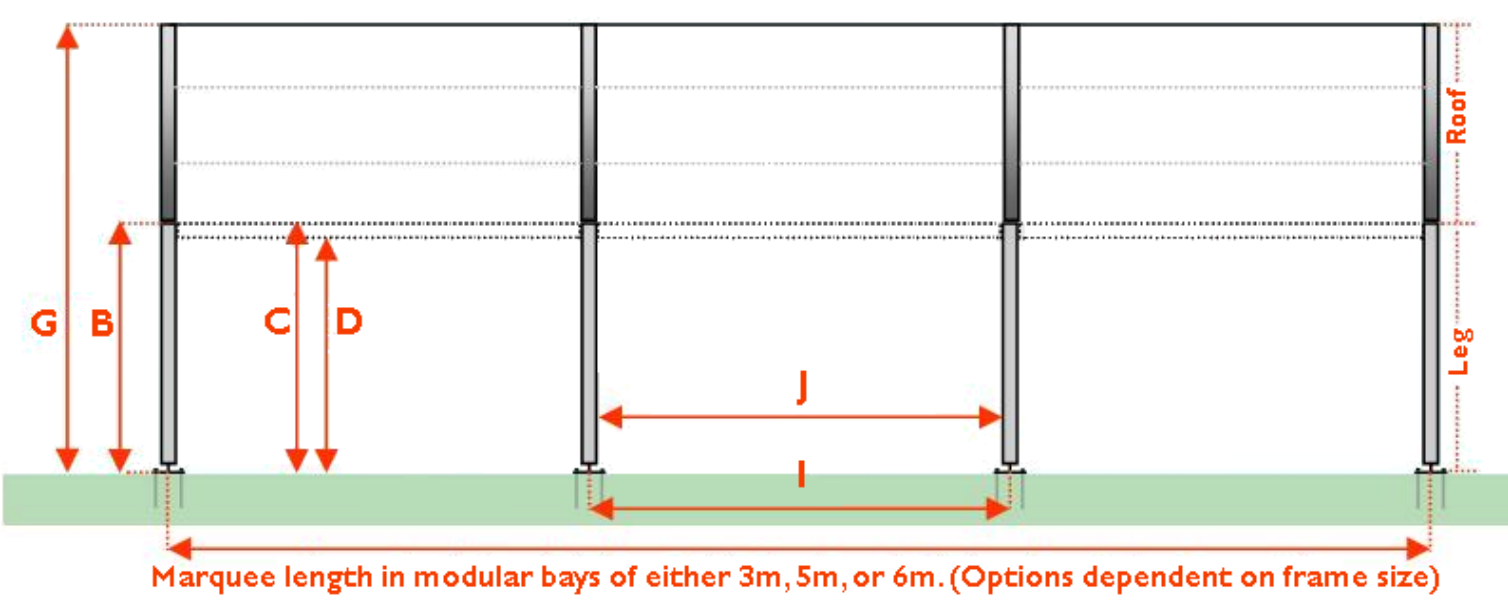
Staging

Heating

This is a selection of the ancillary equipment available. Please contact us for any specific requirements.

# TECHNICAL SPECIFICATIONS

## SIDE ELEVATION / EAVES VIEW      OVERHEAD / PLAN VIEW



## FRONT ELEVATION / GABLE VIEW

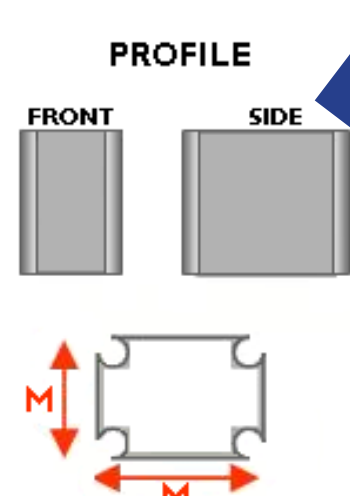
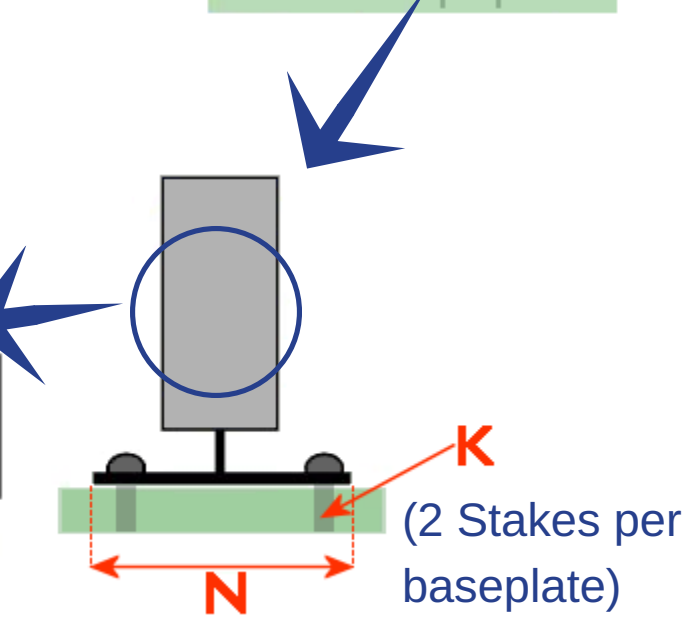
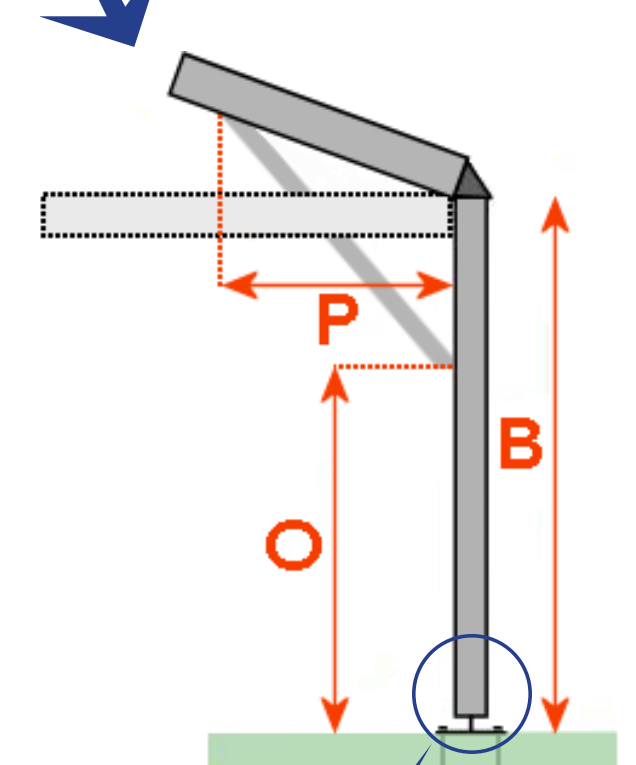
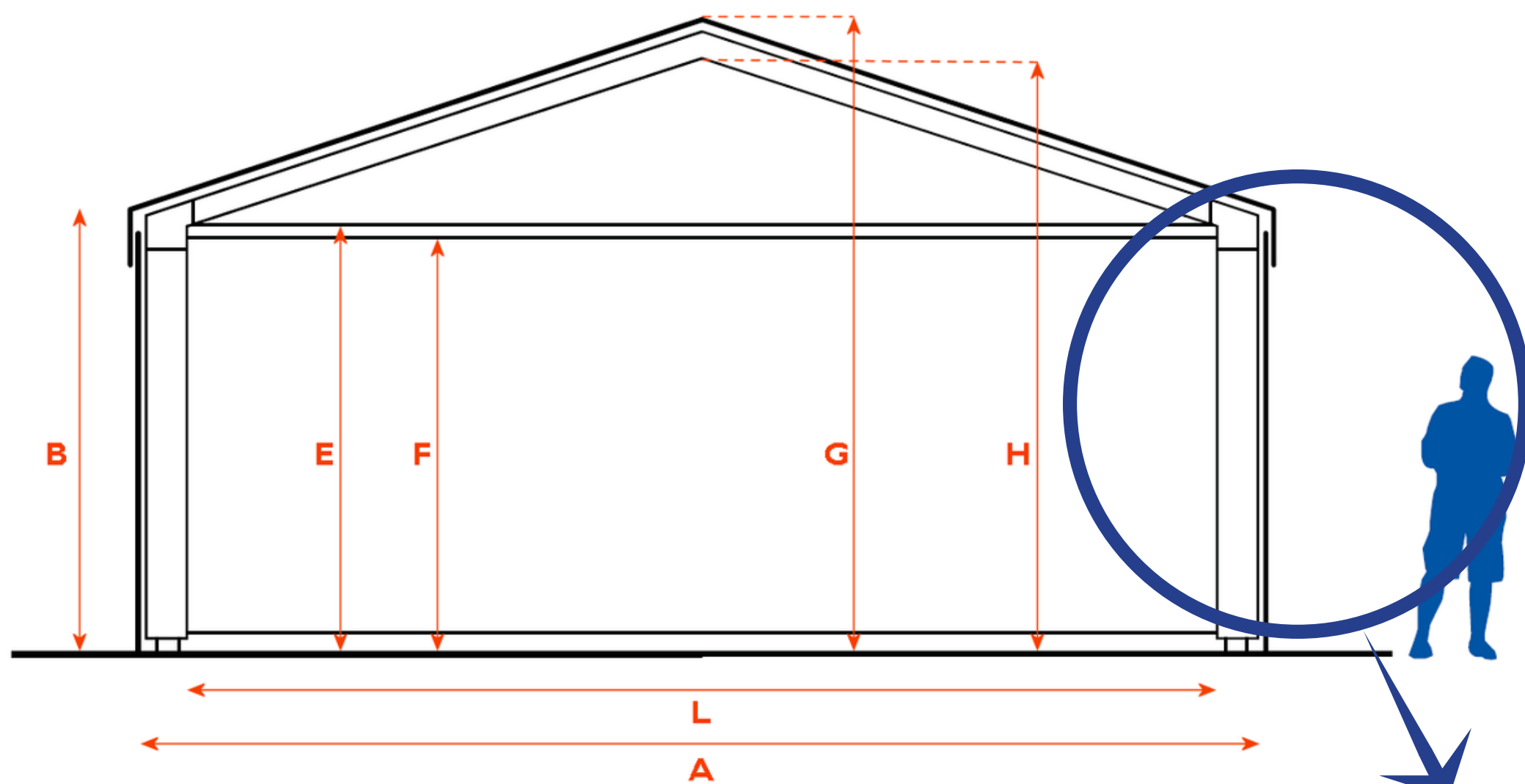
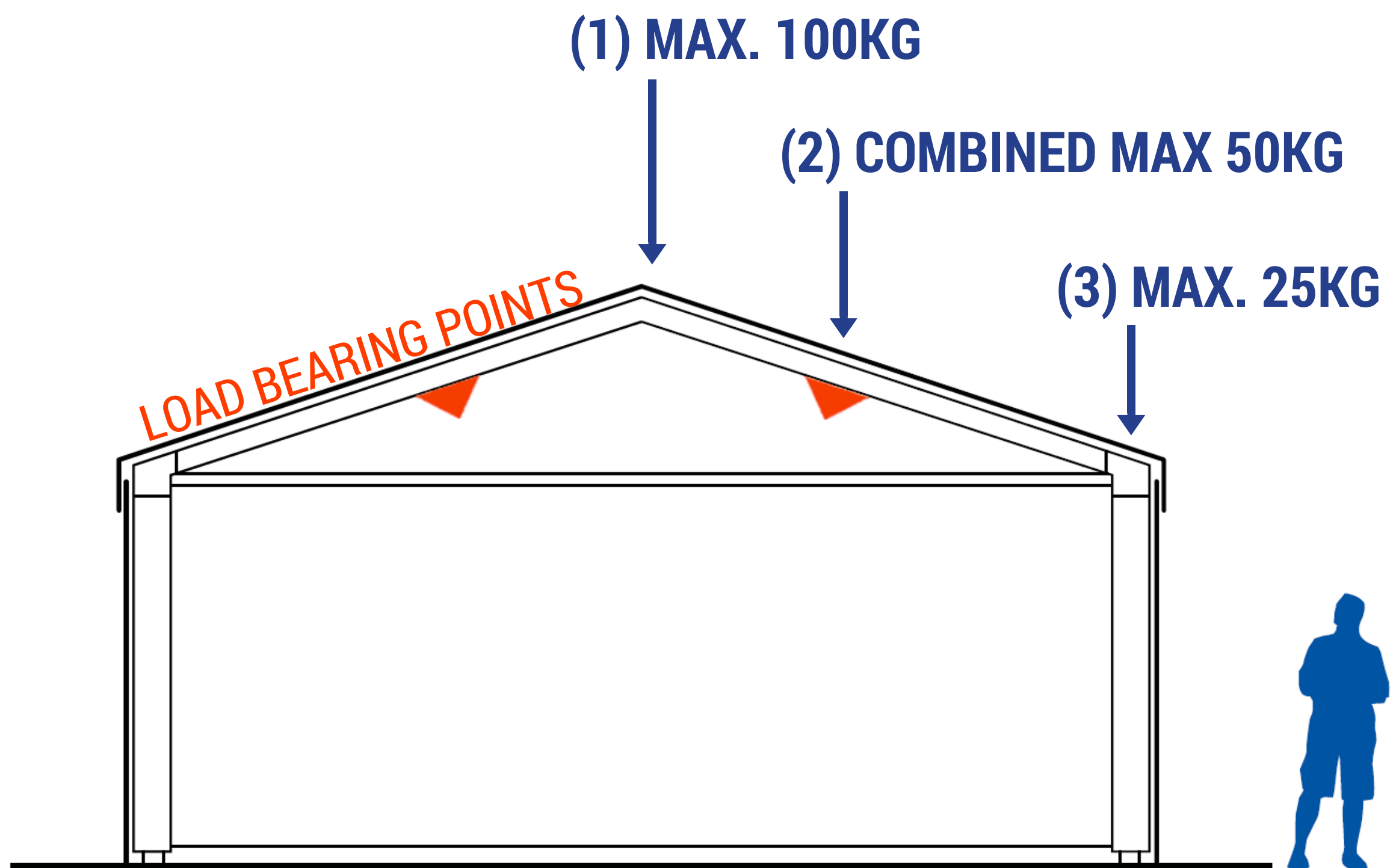


	DIAGRAM REF	6m	6m
Gable width	A	6m	6m
Leg height	B	2.3	3
Frame type	not shown	Danco	Danco
Top of eaves	C	2.26	3
Underside of eaves	D	2.13	2.87
Top of gable cross bar	E	2.3	2.94
Underside of gable cross bar	F	2.23	2.87
Top of apex	G	3.4	4.1
Underside of apex	H	3.27	3.97
Bay width (centre leg to centre leg)	I	3 or 6	3 or 6
Clear dist. between bay legs (eaves)	J	2.93 or 5.93	2.93 or 5.93
Stake length (mm)	K	800	800
Clear distance between upright legs (gable)	L	5.87	5.87
Leg profile (mm)	M	130x70	130x70
Eaves purlin profile (mm)	M	130x70	130x70
Base plate dimensions (mm)	N	400x130	400x130
Haunch bar leg height	O	n/a	n/a
Haunch bar lateral Ingress	P	n/a	n/a
Haunch bar apex height	Q	n/a	n/a



# WEIGHT LOADING



A maximum of 200kg can be hung from each 'A' frame (outer structure shown above)

## THE LOAD CAN BE MADE UP AS FOLLOWS:

- A maximum of 100kg can be hung from the central 'A' frame point on the Apex (1).
- A combined maximum of 50kg can be hung from either side of the beam of the 'A' frame using the six load points shown in orange (2). These load points must be below the intermediate purlins and must be equally distributed on both sides. Only Keder clamps with an appropriate Safe Working Load should be used.
- A maximum of 25kg can be hung from the eaves purlins (3)
- Weights stated are maximums.