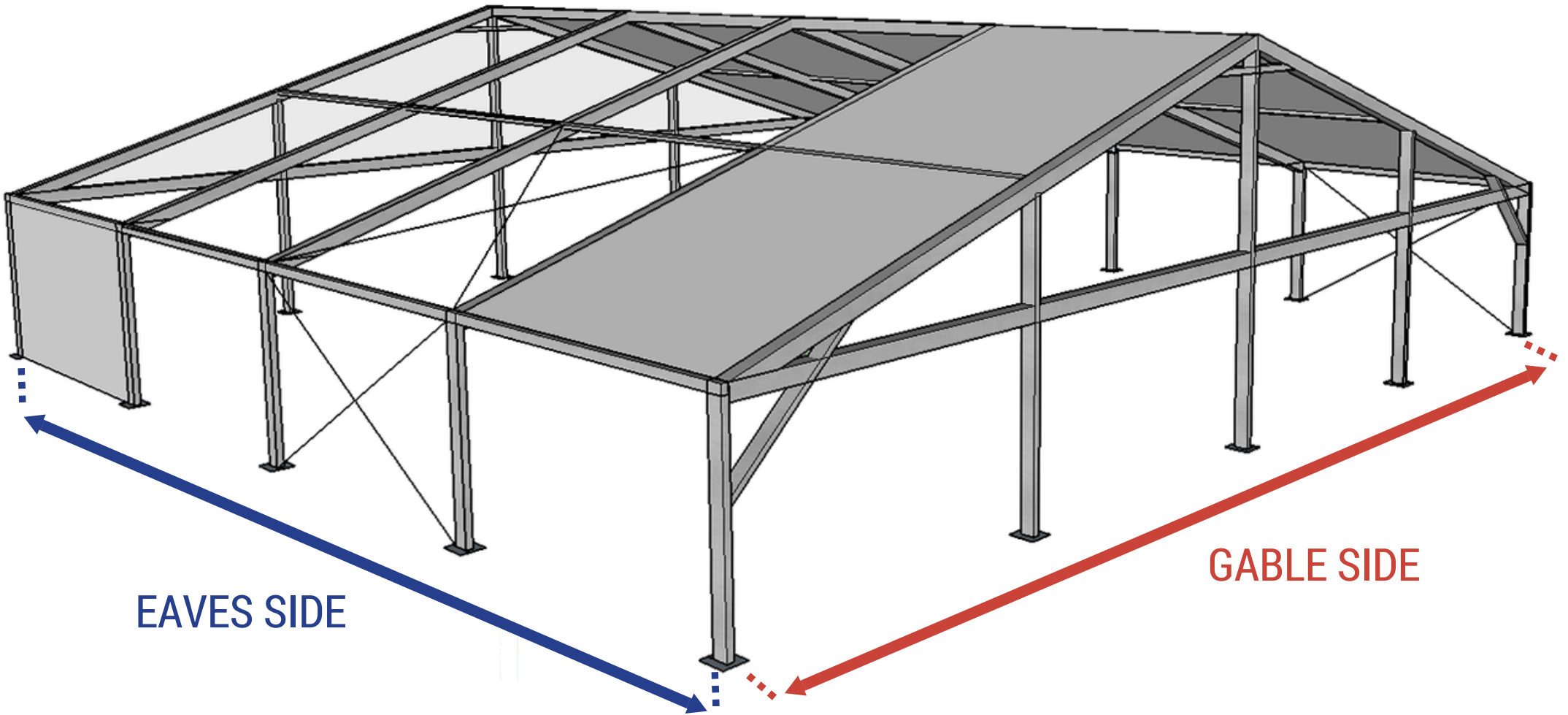


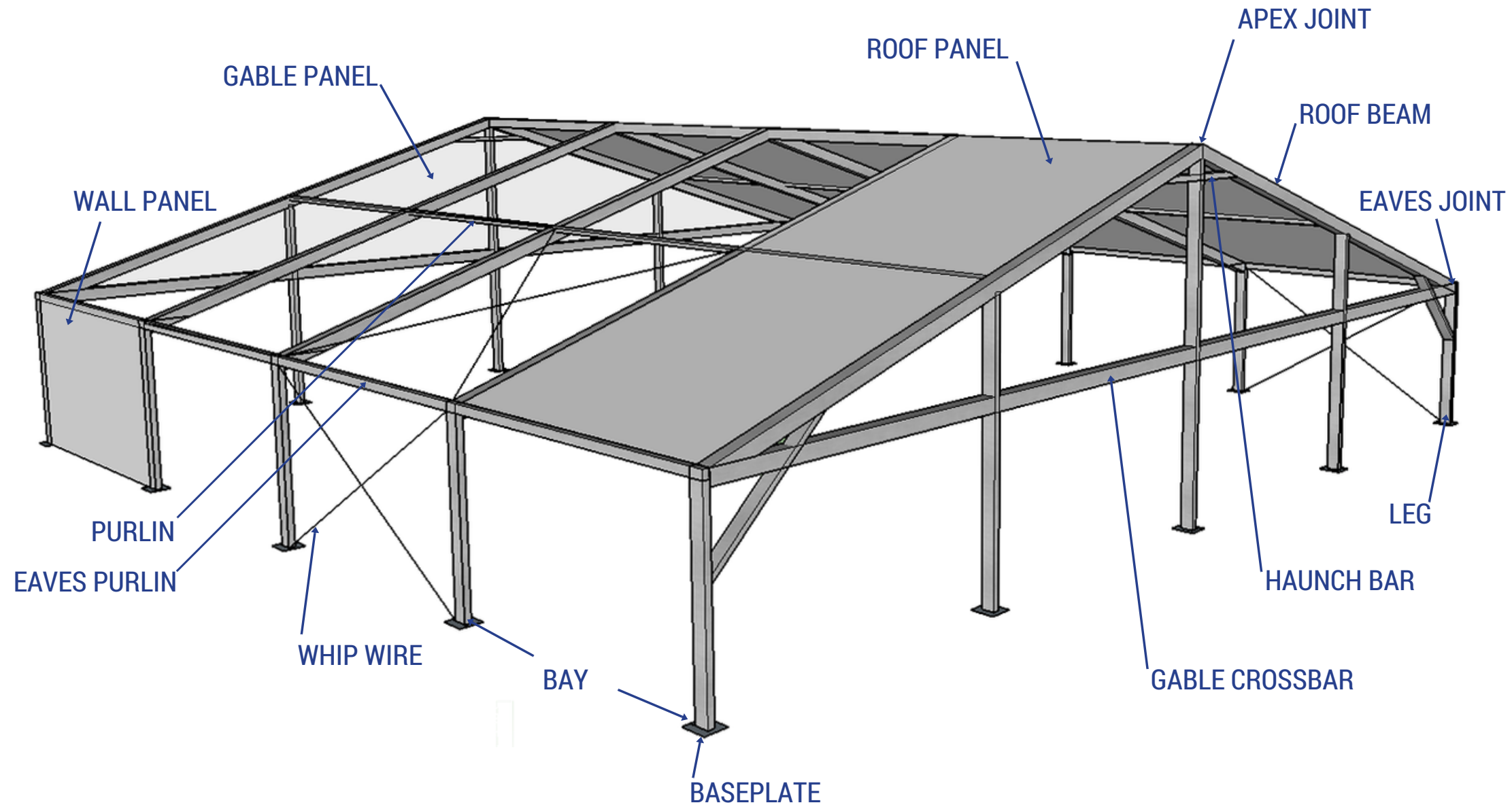


GLOSSARY OF TERMS

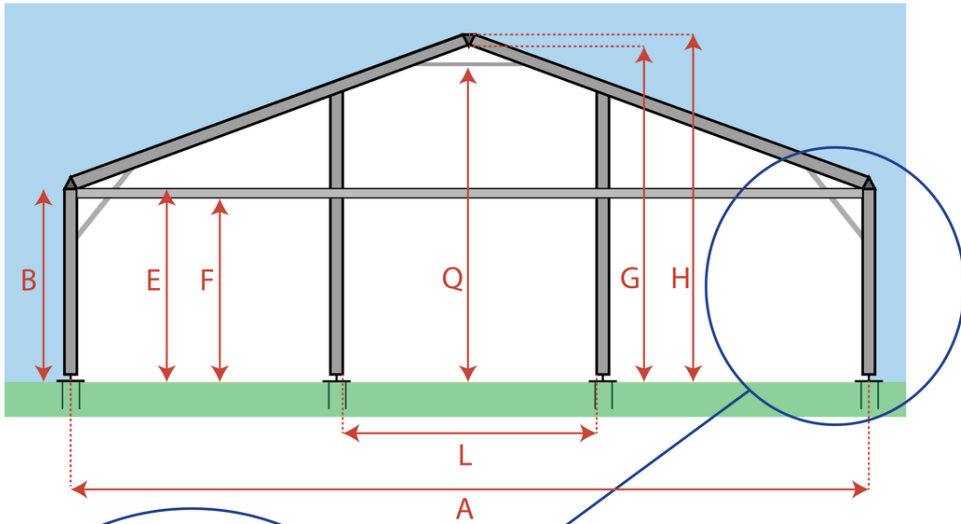
GLOSSARY OF TERMS



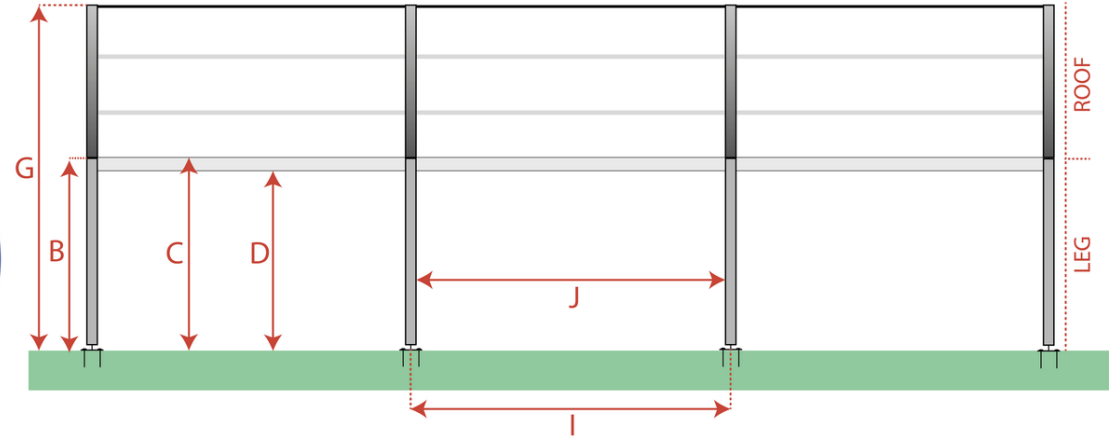
GLOSSARY OF TERMS



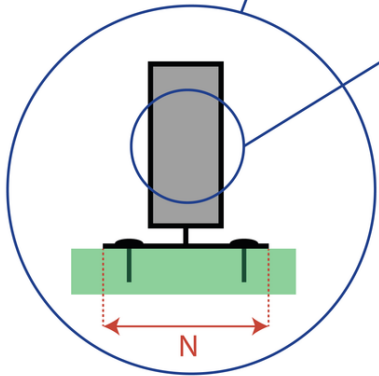
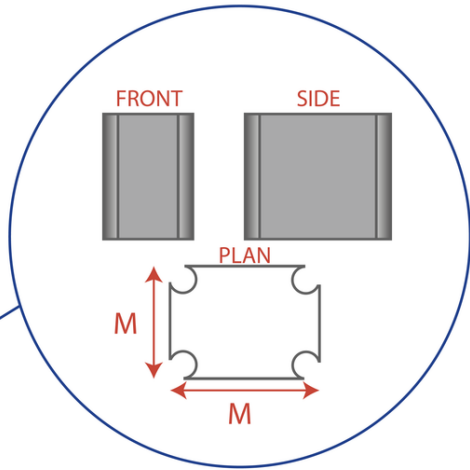
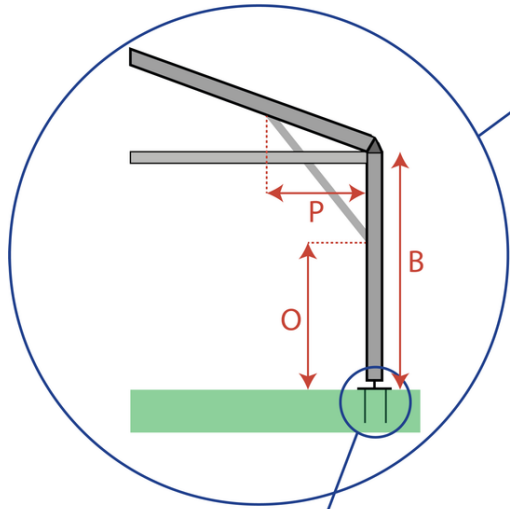
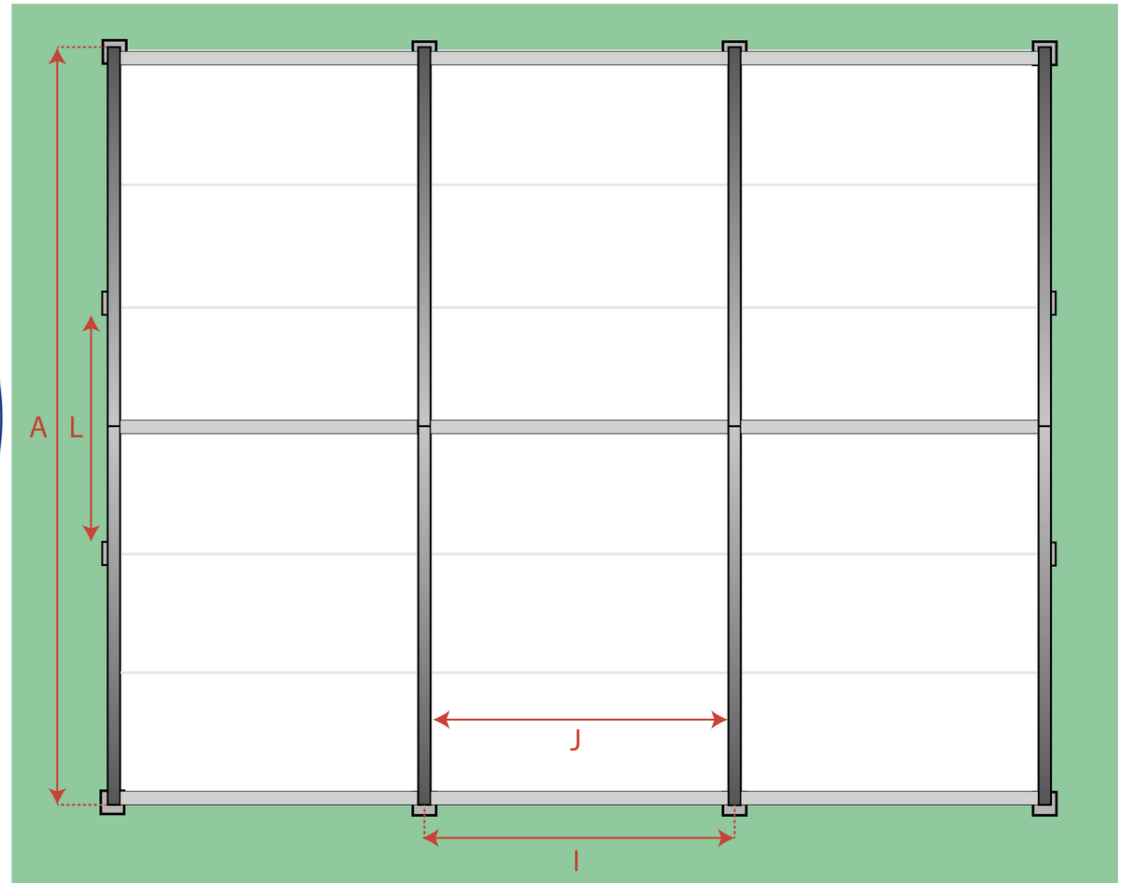
FRONT ELEVATION / GABLE VIEW



SIDE ELEVATION / EAVES VIEW



PLAN / OVERHEAD VIEW



SMALL FRAMES

DIAGRAM REF

Gable width	A	3m	3m	3m	4.5m	6m	6m
Leg height	B	2.4	2.3	3	2.4	2.3	3
Frame type	not shown	Minispan	Danco	Danco	Minispan	Danco	Danco
Top of eaves	C	2.4	2.21	2.94	2.4	2.26	3
Underside of eaves	D	2.35	2.13	2.87	2.35	2.13	2.87
Top of gable cross bar	E	2.47	2.3	2.94	2.47	2.3	2.94
Underside of gable cross bar	F	2.38	2.23	2.87	2.38	2.23	2.87
Top of apex	G	2.94	2.9	3.6	3.24	3.4	4.1
Underside of apex	H	2.84	2.77	3.47	3.15	3.27	3.97
Bay width (centre leg to centre leg)	I	3	3 or 6	3 or 6	3	3 or 6	3 or 6
Distance between bay legs (eaves)	J	2.95	2.93 or 5.93	2.93 or 5.93	2.95	2.93 or 5.93	2.93 or 5.93
Stake length (mm)	K	800	800	800	800	800	800
Distance between upright legs (gable)	L	2.92	2.87	2.87	4.42	5.87	5.87
Leg profile (mm)	M	48 x 84 **	130 x 70**	130 x 70**	48 x 84**	130 x 70**	130 x 70**
Eaves purlin profile (mm)	M	48 x 84**	130 x 70**	130 x 70**	48 x 84**	130 x 70**	130 x 70**
Base plate dimensions (mm)	N	270 x 270**	400 x 130**	400 x 130**	270 x 270**	400 x 130**	400 x 130**
Haunch bar leg height	O	n/a	n/a	n/a	n/a	n/a	n/a
Haunch bar lateral ingress	P	n/a	n/a	n/a	n/a	n/a	n/a
Haunch bar apex height	Q	n/a	n/a	n/a	n/a	n/a	n/a

Measurement shown for "Clear distance between uprights (gable)" is the end gable bay, central gables bays are slightly wider where () is shown.

All measurements are in metres, unless (**) shown. **Denotes measurements are in mm.

Ground conditions can effect the measurement, so all figures are given as a guide.

Structural supports (wire whips) are required at either end of a structure and every 5th bay (or every 4th bay on large frames).

Linings will reduce the internal heights, please contact us if this measurement is required.

The roof pitch on all frames is 18 degrees apart from Walu 10m Frame which is 24 degrees.

MEDIUM FRAMES

		DIAGRAM REF								
Gable width	A	9m	9m	10m	12m	12m	15m	15m	15m	
Leg height	B	2.3	3	3	2.3	3	2.4	3	3	
Frame type	not shown	Danco	Danco	Walu	Danco	Danco	Danco	Danco	Walu	
Top of eaves	C	2.26	3	2.95	2.26	2.96	2.49	3.17	3.24	
Underside of eaves	D	2.13	2.87	2.87	2.13	2.83	2.27	2.95	3.03	
Top of gable cross bar	E	2.3	2.94	2.94	2.3	2.94	2.36	2.89	3.18	
Underside of gable cross bar	F	2.23	2.87	2.81	2.23	2.87	2.29	2.82	3.05	
Top of apex	G	3.875	4.8	4.67	4.4	5.1	4.84	5.6	5.67	
Underside of apex	H	3.745	4.67	4.54	4.27	4.97	4.62	5.3	5.46	
Bay width (centre leg to centre leg)	I	3 or 5	3 or 5	5	3 or 5	3 or 5	5	5	5	
Distance between bay legs (eaves)	J	2.93 or 4.93	2.93 or 4.93	4.925	2.93 or 4.93	2.93 or 4.93	4.9	4.9	4.925	
Stake length (mm)	K	800	800	800	800	800	800	800	800	
Distance between upright legs (gable)	L	2.9*	2.9*	4.9	2.9*	2.9*	4.86*	4.86*	4.86*	
Leg profile (mm)	M	130 x 70**	130 x 70**	125 x 75**	130 x 70**	130 x 70**	220 x 100**	220 x 100**	210 x 110**	
Eaves purlin profile (mm)	M	130 x 70**	130 x 70**	125 x 75**	130 x 70**	130 x 70**	130 x 70**	130 x 70**	125 x 75**	
Base plate dimensions (mm)	N	400 x 130**	400 x 130**	350 x 300**	400 x 130**	400 x 130**	350 x 400**	350 x 400**	350 x 300**	
Haunch bar leg height	O	n/a	n/a	n/a	n/a	n/a	n/a	n/a	n/a	
Haunch bar lateral ingress	P	n/a	n/a	n/a	n/a	n/a	n/a	n/a	n/a	
Haunch bar apex height	Q	n/a	n/a	n/a	n/a	n/a	n/a	n/a	n/a	

Measurement shown for "Clear distance between uprights (gable)" is the end gable bay, central gables bays are slightly wider where () is shown.

All measurements are in metres, unless (**) shown. **Denotes measurements are in mm.

Ground conditions can effect the measurement, so all figures are given as a guide.

Structural supports (wire whips) are required at either end of a structure and every 5th bay (or every 4th bay on large frames).

Linings will reduce the internal heights, please contact us if this measurement is required.

The roof pitch on all frames is 18 degrees apart from Walu 10m Frame which is 24 degrees.

LARGE FRAMES

DIAGRAM REF

Gable width	A	20m	20m	25m	25m	30m	40m
Leg height	B	3	3	3	3	3	4
Frame type	not shown	Danco	Walu	Danco	Walu	Danco	Danco
Top of eaves	C	3.03	3	3.03	3	3	3.85
Underside of eaves	D	2.9	2.875	2.9	2.875	2.87	3.67
Top of gable cross bar	E	2.96	3.18	2.96	3.18	3.05	3.84
Underside of gable cross bar	F	2.89	3.05	2.89	3.05	2.98	3.77
Top of apex	G	6.2	6.48	7.04	7.29	7.87	10.4
Underside of apex	H	5.98	6.28	6.82	7.08	7.62	10.05
Bay width (centre leg to centre leg)	I	5	5	5	5	5	5
Distance between bay legs (eaves)	J	4.9	4.925	4.9	4.925	4.88	4.715
Stake length (mm)	K	800	800	1050	1050	1050	1050
Distance between upright legs (gable)	L	4.86*	4.86*	4.86*	4.86*	4.83*	4.81*
Leg profile (mm)	M	222 x 102**	210 x 110**	222 x 102**	210 x 110**	250 x 120**	285 x 125**
Eaves purlin profile (mm)	M	130 x 70**	125 x 75**	130 x 70**	125 x 75**	130 x 70**	175 x 90**
Base plate dimensions (mm)	N	350 x 400**	350 x 300**	350 x 400**	350 x 300**	500 x 500**	500 x 500**
Haunch bar leg height	O	1.89	n/a	1.89	n/a	2.06	2.81
Haunch bar lateral ingress	P	1.44	n/a	1.44	n/a	2.49	2.49
Haunch bar apex height	Q	5.65	5.9	6.55	6.8	7.17	9.75

Measurement shown for "Clear distance between uprights (gable)" is the end gable bay, central gables bays are slightly wider where () is shown.

All measurements are in metres, unless (**) shown. **Denotes measurements are in mm.

Ground conditions can effect the measurement, so all figures are given as a guide.

Structural supports (wire whips) are required at either end of a structure and every 5th bay (or every 4th bay on large frames).

Linings will reduce the internal heights, please contact us if this measurement is required.

The roof pitch on all frames is 18 degrees apart from Walu 10m Frame which is 24 degrees.